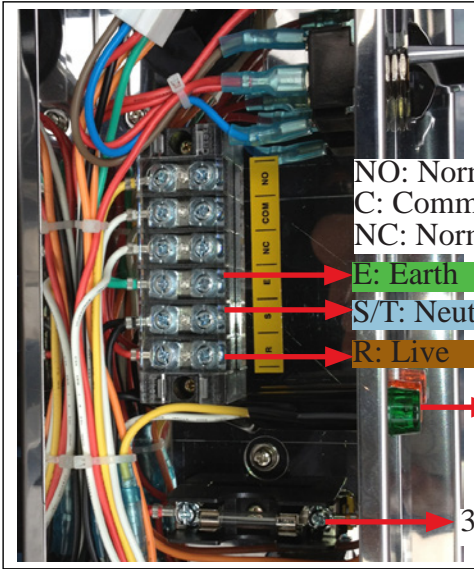


# Fan Filter Unit SS430 (FFU)

## Electrical Connection and Package details



Optional Connection  
Dry contact relay for  
light and alarm

NO: Normally Open  
C: Common  
NC: Normally Close

E: Earth

S/T: Neutral

R: Live

220-240V AC  
Single Phase <1A

Power Lights  
Green: Running  
Orange: Abnormal

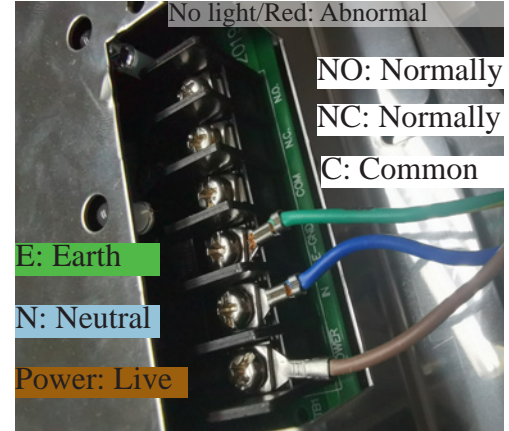
3A Fuse

Yr 2021

Power Lights

Green: Running

No light/Red: Abnormal



NO: Normally Open

NC: Normally Close

C: Common

E: Earth

N: Neutral

Power: Live

For positive plenum or Top min OD305mm(12") Round Duct collar for flexible installation and future filter replacement. Alternate Duct Side load air in 150mmHx500mm + 150mmH for filter replacement

### CAUTION: Read First

#### HANDLE with Extreme Care

#### HANDLING, TRANSPORTATION

HEPA filters are made of micro fibreglass Paper which makes the filter extremely fragile, soft and brittle like glass.

NO throwing, no stacking, pushing or forcing, sitting, stepping, shaking, dropping or impact of the filter. This may cause the media to crack or tear.

Although the filter is enclosed in Aluminium or metal frame for careful handling and installation, they might look rigid but any excessive force, push and force or impact at frame sides will cause bending, tear and crack the filter media.

Avoid and DO not touch the face guard, the media may puncture or crack.

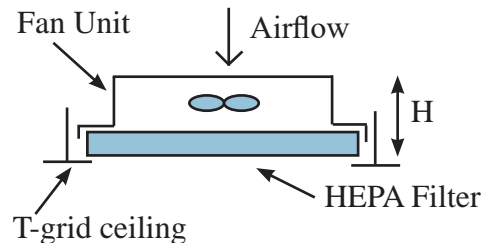
Store the fan unit and filters in a safe place.

This applies to the Fan Unit as well. Any drop mishandling or impact will cause the fan balancing to be off and give out excessive noise.

Installation should be carried out by experienced technicians or personnel familiar with handling of Fragile HEPA filters.

#### Package details

- x1 Fan Unit (FU)
- x1 HEPA Minipleat Filter
- x1 Wire cord (for RPM) x1 RPM module
- Optional: Prefilter FC



T-grid ceiling

For FFU 600x1210

H=350mm (w HEPA Filter)

H=430mm (RPM TRFU & Filter)

for FU 600x600

H=380mm

H=470mm

#### FFU Installation Guide

Fan unit will rest on top the HEPA filter, the weight of the fan unit will press down the gaskets of the filter to be air tight sealed. Tape can be applied but not necessary. The HEPA filter will rest on the T-grid ceiling or inside RPM module which is reinforced to ceiling. Support brackets can be installed on Fan units on top.

For installation from below the ceiling, it is common that the Fan Unit is first being hanged with rope (installing an anchor support hook on top of the concrete ceiling) on top of the ceiling,

then installing the HEPA filter then putting down the Fan Unit. Install Insulation as required.

Minimum Ceiling Clearance: 700 to 1000mm

Recommended: 1000mm or catwalk access, installation from top of false ceiling  
Manpower: 4 trained personnel in HEPA filters installation with 2 to 3 ladders or work platforms.  
HEPA filter Recommended Replacement time: >2-3 years (depending on design)

Model	FFU SS (FK-8BACSPN1)	FFU SS (FK-15CACSPN1)	FFU EC SS
External Dimensions (WxLxH) mm with filter Height	604 x 1214 x (280+70)	604 x 604 x (310+70)	574 x 1174 x (280+70)
Filter Dimensions (WxLxH) mm	600 x 1210 x 70	600 x 600 x 70	570x1170x70
Rated Air Flow for H13 99.99/99.999% @0.3um m <sup>3</sup> /h	1020 (600cfm) @120Pa	550 @120Pa	900 @120Pa
Rated Air Flow for U15 99.9995% @0.1-0.2um m <sup>3</sup> /h	1020 (600cfm) @160Pa	550 @160Pa	900 @160Pa
Material	Stainless Steel 430	SS430	SS430
Electrical	Single Phase AC220/240V - 50Hz		
Rated Power, Rated Ampere	150W / 0.65A +/-20%		100W or 0.5A +/-20%
Sound Level +/-3.0 dB(A) at 1.5m	<52.0	<52.0	<55.0
Speed Control	3 step	3 step	Electronic Control /PC
Weight kg	21 + 6	18 + 4	21 + 6
Average Velocity m/s	0.35-0.55	0.35-0.55	0.25-0.45
Pre-filter Average Dust Weight Arrestance	Optional FC Al Frame at Dust Arrestance 85%/ G3		

Specifications Tested with Airflow at 0.40m/s or 1020cmh. Laminar air flow from 0.25 to 0.55m/s

#### TEST SPECIFICATIONS and QUALITY ASSURANCE:

The HEPA filters undergone extreme careful manufacturing and upon completion, they are quality, visually checked and leak tested. HEPA filters conforming to leak tests are labelled with the specifications before packing and shipment.

We verified and certify that no Physical and Filter Leak are detected on HEPA filter upon testing and it conforms to standards traceable to EN1822-4 or IES RP-CC-001.3